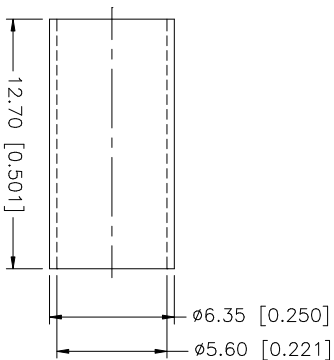
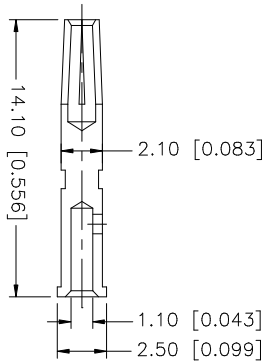
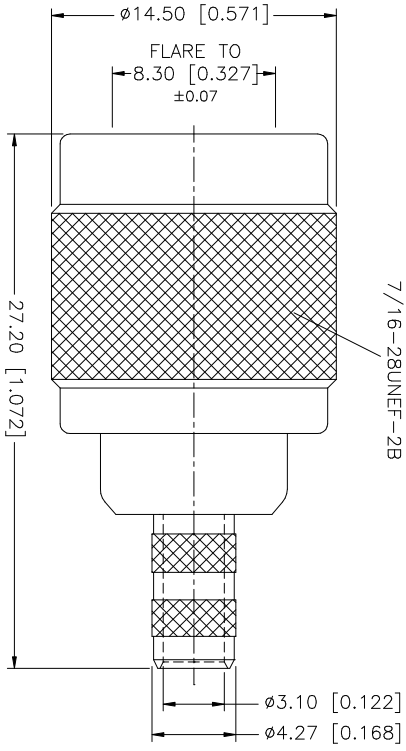
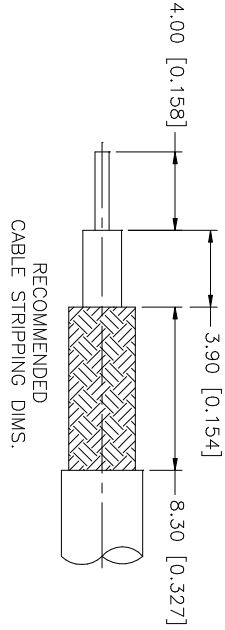


REV.	DATE	DESCRIPTION
A	02/24/03	UPDATE DRAWING FORMAT



NOTE:

1. CRIMPED FERRULE
HEX CRIMP SIZE .312"
2. CRIMPED CONTACT PIN
HEX CRIMP SIZE .068"

Amphenol Connex

PART DESCRIPTION

TNC REVERSE POLARITY CRIMP PLUG
(FOR RG-55/U, 142A/U, 223/U, 400/U CABLE)

PART NO. 122372RP

UNLESS OTHERWISE SPECIFIED DIMENSIONS ARE IN INCHES AND FOR CUSTOMER REFERENCE ONLY.	UNLESS OTHERWISE SPECIFIED DIMENSIONS ARE IN MILLIMETERS	UNLESS OTHERWISE SPECIFIED DIMENSIONS ARE IN INCHES AND FOR CUSTOMER REFERENCE ONLY.	UNLESS OTHERWISE SPECIFIED DIMENSIONS ARE IN MILLIMETERS	DO NOT SCALE DRAWING	CAD FILE	DWG. NO.	REV.	SIZE	SCALE
8						122372RP.DWG	A	A	NA
7									
6									
5									
4	FERRULE	COPPER	NICKEL	1	CHECKED				
3	INSULATOR	TEFLON	NATURAL	1	ISSUED				
2	CONTACT PIN	PHOS. BRONZE	GOLD	1	SHEET	1 OF 1			
1	SHELL/BODY	BRASS	NICKEL	1					
	DESCRIPTION	MATERIAL	FINISH	QTY					